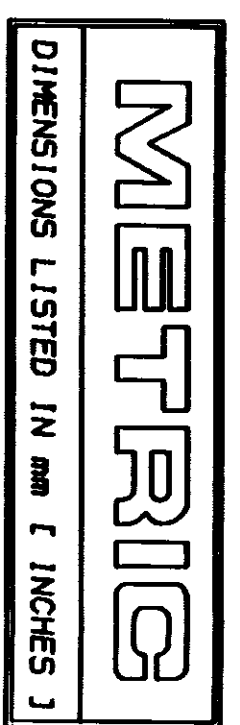
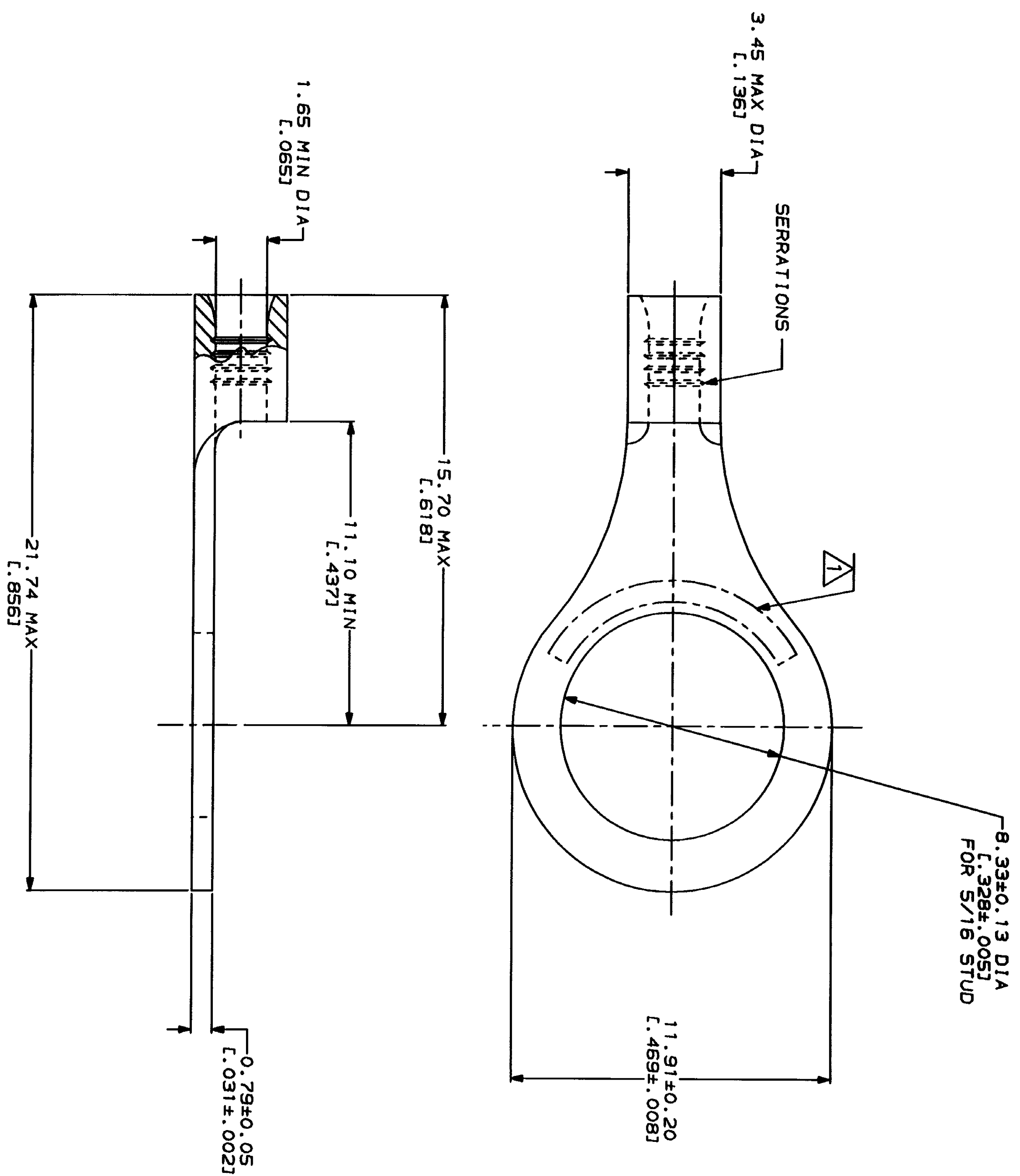


LOC	DATE	BY	REVISIONS	DATE	APPD
G	14	P	REVISED PER 0720-0230-93	2/25/93	JL



WIRE RANGE	E13288 Listed
22-16 AWG STRANDED	22-16 AWG STRANDED
LR7189 Certified	MILITARY P/N AND CLASS
NOT CERTIFIED	NOT APPLICABLE

STAMP AMP 22-18\* APPROX AS SHOWN  
 22-16 TERMINALS ARE STAMPED 22-18 IN  
 ACCORDANCE WITH MILITARY SPECIFICATION  
 MIL-T-7928, COMMERCIAL WIRE RANGE IS 22-16



AMP INCORPORATED  
 CUSTOMER SERVICE SYSTEMS

FOR ADDITIONAL PRODUCT INFORMATION OR COPIES OF DRAWINGS AND TECHNICAL DOCUMENTS  
 PRODUCT INFORMATION CENTER  
 1-800-522-6752

FOR APPLICATION TOOLING INFORMATION  
 TOOLING ASSISTANCE CENTER  
 1-800-722-1111

FOR ORDER ENTRY  
 1-800-526-5142

MAX RECOMMENDED OPERATING TEMPERATURE: 170°C MAX

VOLTAGE RATING: NOT APPLICABLE

WIRE CROSS SECTIONAL AREA RANGE: 0.26-1.65mm² (S09-3,260) CIR MILS STRANDED

DO NOT SCALE PRINT. UNLESS SPECIFIED DIMENSIONS IN INCHES. TOLERANCES ON: 2 PLC DEC # - - 3 PLC DEC # - - ANGLES # - - MATERIAL COPPER PER ASTM B-152 ANNEALED FINISH TIN PLATE 0.00254L.000100] MIN THK PER MIL-T-10727

DR 2-3-93 TA BRIKMAN  
 CHK 2-3-93 DA PATTERSON  
 APPD 2-3-93 DE MILLER  
 APPD 2-3-93 JL HECKLEY  
 PRODUCT SPEC

NAME: TERMINAL, RING TONGUE, BUDGET

AMP Incorporated  
 Harrisburg, PA 17105-3608

ON TAPE  
 LOOSE PIECE

QUANTITY: 5000

PACKAGE TYPE: 3-31173-3

PART NO: 31173

SIZE: 00779  
 CAGE CODE: 00779  
 DRAWING NO: 3-31173

SCALE: 8:1

SHEET: 1 OF 1

CUSTOMER DRAWING